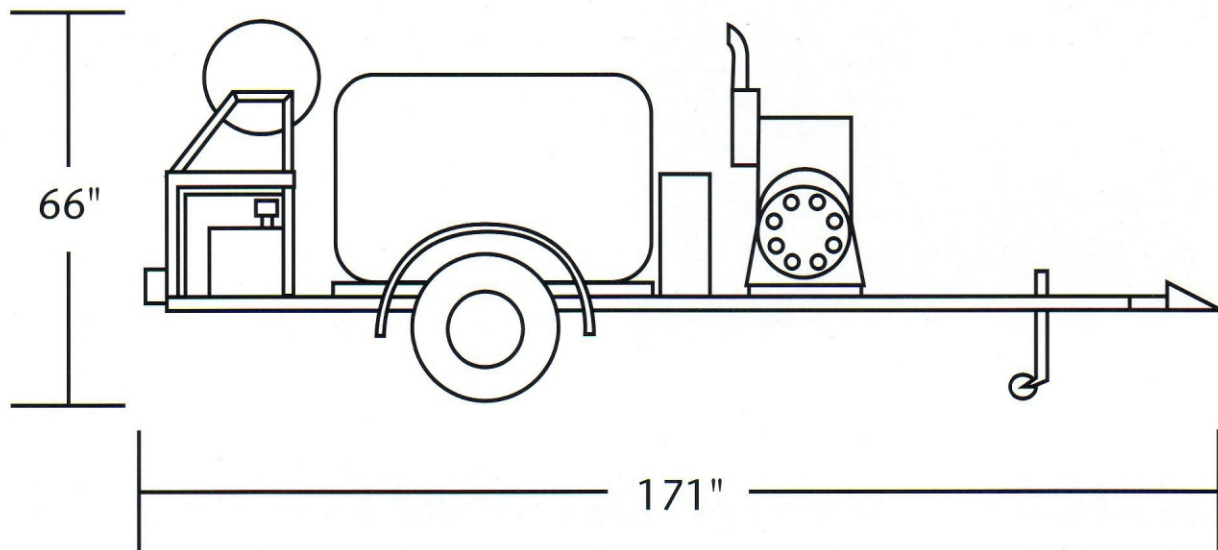


Unit Specifications



Weight (Approximate):

2,900 lbs. Dry

5,400 lbs. Gross

6,000 lbs. GVW

E-Series Single Axle with Fixed Hose Reel

 **HARBEN**[®]

High Pressure Water Technology

Jetters That Stand The Test Of Time

Distributed By:


MTECHSM
Confined entry specialists and certified instructors

7401 First Place
Cleveland, OH 44146
440.646.0996 Fax: 440.646.9953
1.800.362.0240