



AT LEADING SIDE REACH

Quality Management System certified by TÜV Rheinland.
AXION is a company committed to quality.



TELESCOPIC ARTICULATING AERIAL DEVICES

GENERAL SPECIFICATIONS

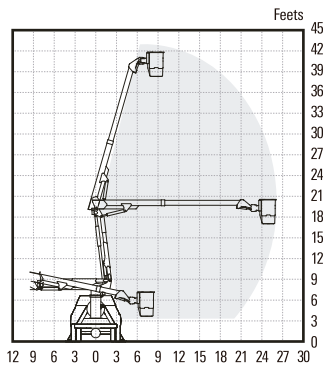
EQUIPMENT

AT4313

Working height ¹	44.3 ft / 13,5 m
Ground to bottom of the platform ¹	39.4 ft / 12,0 m
Maximum side reach	25.6 ft / 7,8 m
Maximum side reach with 180° hydraulic platform rotation	26.6 ft / 8,1 m
Stowed travel height ¹	10.2 ft / 3,1 m
Hydraulic boom extension	8.2 ft / 2,5 m
Platform capacity ^{2/3}	300 lb - 400 lb / 136 kg - 182 kg
Platform dimensions	30 x 24 x 42 in / 770 x 620 x 1070 mm
Rotation	360° continuous infinite

REACH DIAGRAM

AT4313



STANDARD FEATURES

- Manual emergency pump
- Emergency stop valves at the upper and lower control stations
- End-Mount platform
- Lower controls with override to the platform
- Device against accidental operation at the platform (Safe Control System)
- Hydraulic Platform Leveling System
- Hydraulic Platform Tilt
- Gear box + slewing drive rotation
- Hydraulic oil level and thermometer
- Self-lubricating bushing
- Leveling system and hoses fully embedded inside booms
- Holding valves integrated in hydraulic cylinders
- AXION meets or exceeds ANSI A92.2 standards
- Certified under ISO 9001 by TÜV Rheinland

OPTIONS

- Insulated 46 kV Category C
- Chassis Insulating System (Lower Boom)
- Platform 24 x 24 x 42 in / 610 x 610 x 1070 mm
Capacity: 300 lb / 400 lb (136 kg / 182 kg)
- Hydraulic tool circuit at platform
- Engine Start/Stop at platform
- 180° Hydraulic Platform Rotator
- Liner
- Joystick (Fully metered single handle upper control)
- "A" frame outriggers
- Horometer
- Inclinometer
- Outrigger motion alarm
- Outrigger Boom Interlock System
- Electric emergency pump at platform
- Vinyl platform
- Wheel chock
- Mounting brackets & stationary set-ups

1. Based on a chassis frame height of 40 in (1016 mm). 2. According to vehicle's GVW. 3. Recommended single platform.

