



## BR BEST IN CLASS

Quality Management System certified by TÜV Rheinland.  
AXION is a company committed to quality.



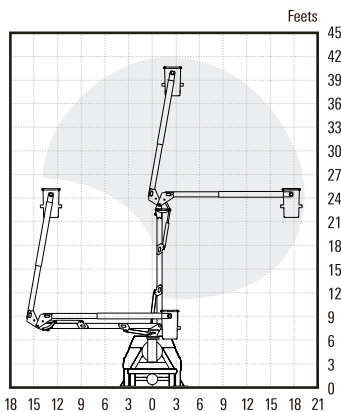
## ARTICULATING AERIAL DEVICES

### GENERAL SPECIFICATIONS

EQUIPMENT	BR4313
Working height <sup>1</sup>	42.7 ft / 13,0 m
Ground to bottom of the platform <sup>1</sup>	37.8 ft / 11,5 m
Maximum side reach	19.7 ft / 6,0 m
Stowed travel height <sup>1</sup>	9.8 ft / 3,0 m
Platform capacity <sup>2/3</sup>	300 lb - 386 lb / 136 kg - 175 kg
Platform dimensions	24 x 24 x 42 in / 610 x 610 x 1070 mm
Rotation	360° continuous infinite

### REACH DIAGRAM

#### BR4313



### STANDARD FEATURES

- Manual emergency pump
- Emergency stop valves at the upper and lower control stations
- Side-Mount platform
- Lower controls with override to the platform
- Device against accidental operation at the platform (Safe Control System)
- Chain Platform Leveling System
- Lifting ring attachment at the boom
- Gear box + slewing drive rotation
- Hydraulic oil level and thermometer
- Manometer
- Self-lubricating bushing
- Leveling system and hoses fully embedded inside booms
- Holding valves integrated in hydraulic cylinders
- AXION meets or exceeds ANSI A92.2 standards
- Certified under ISO 9001 by TÜV Rheinland

### OPTIONS

- Insulated 46 kV Category C
- Insulated 69 kV Category B
- Chassis Insulating System (Lower Boom)<sup>4</sup>
- Current leakage monitor
- Additional platform 24 x 24 x 42 in Capacity: 300 lb<sup>5</sup>
- Hydraulic tool circuit at platform
- Engine Start/Stop at Platform
- Liner
- Hydraulic Platform Tilt
- Joystick (Fully metered single handle upper control)
- "A" frame outriggers
- Horometer
- Inclinator
- Outrigger motion alarm
- Material Handling System with hydraulic tilt JIB Capacity: 300 lb<sup>6</sup>
- Outrigger Boom Interlock System
- Electric emergency pump at platform
- Vinyl platform and insert cover
- Wheel chock
- Mounting brackets & stationary set-ups

1. Based on a chassis frame height of 1016 mm (40 in). 2. According to vehicle's GVW. 3. Recommended single platform (see options). 4. Available in BR4313, BR4614 and BR5015. 5. Available in BR4313. 6. Available in BR3410 and BR4313.

